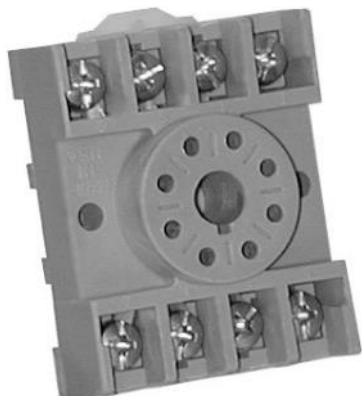
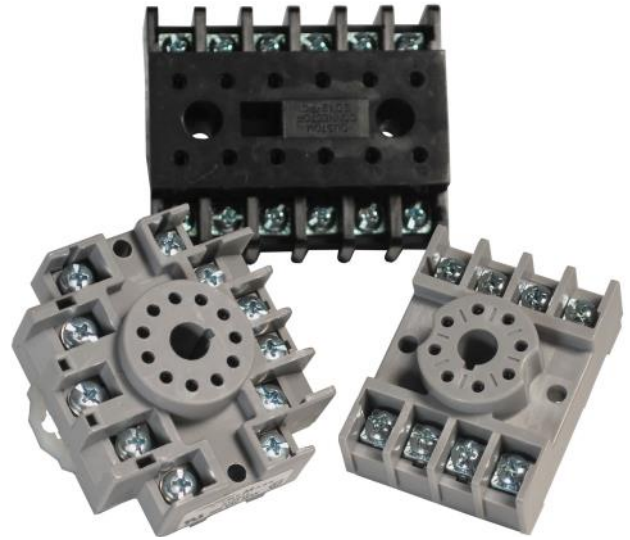


MODEL 51X120 MODEL 51X016 MODEL 51X156

Sockets

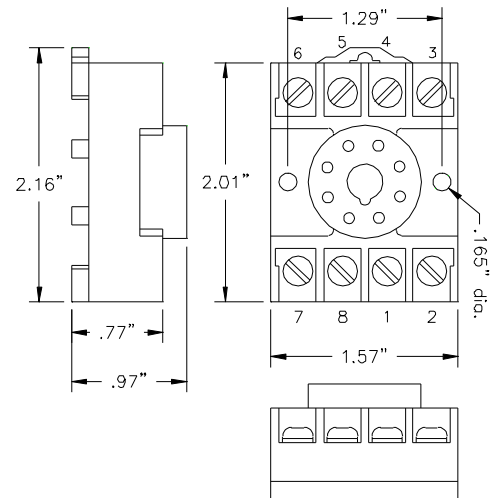
- **8-Pin Socket: (Model 51X120)**
10 Amps at 600VAC Rating
- **11-Pin Socket: (Model 51X016)**
10 Amps at 300VAC Rating
- **12-Pin Socket: (Model 51X156)**
10 Amps at 600VAC Rating



The **Model 51X120 8-Pin Socket** can be surface or DIN-rail mounted and is suitable for use up to 600 VAC.

The thermoplastic body can withstand temperatures up to 300° F continuously without melting or electrical breakdown. Terminals are #6-32 screws, and are suitable for use with wire sizes up to two #12 AWG. The one piece molded body does not require a separate insulator strip.

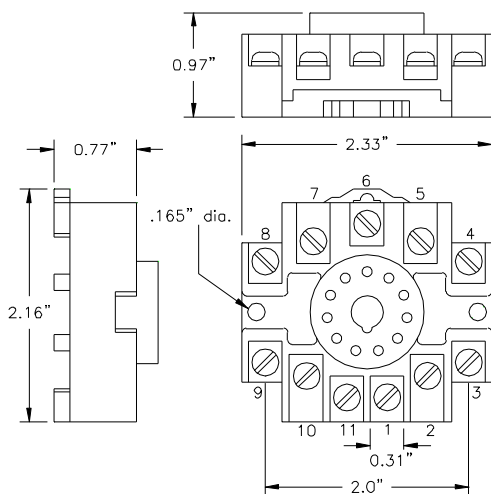
The Model 51X120 is UL Recognized, CSA Certified, and CE (European Conformity) Accepted.



The **Model 51X016 11-Pin Socket** can be surface or DIN-rail mounted and is suitable for use up to 300 VAC.

The thermoplastic body can withstand temperatures up to 300°F continuously without melting or electrical breakdown. Terminals are #6-32 screws, and are suitable for use with wire sizes up to two #12 AWG. The one piece molded body does not require a separate insulator strip.

The Model 51X016 is UL Recognized, CSA Certified, and CE (European Conformity) Accepted.



TIME MARK
CORPORATION

11440 East Pine Street
Tulsa, Oklahoma 74116

10/2019

© 2019 TIME MARK CORPORATION

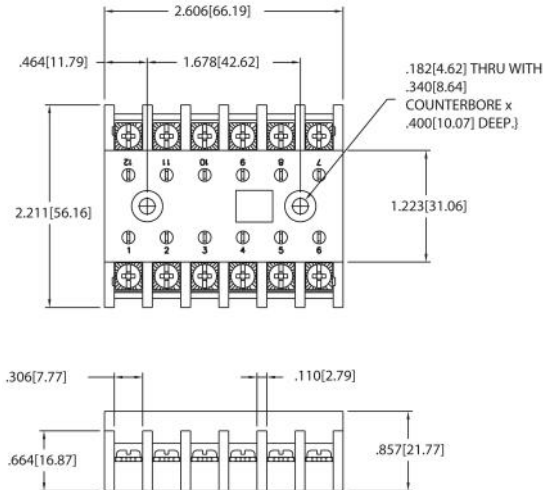
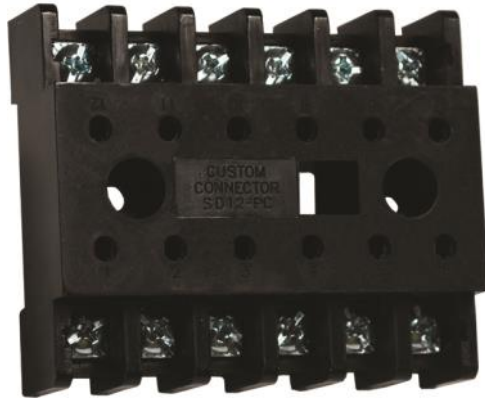
TIME MARK is a division of  AEMT, Inc.

MODELS 51X120/51X016/51X156

Sockets

The Model 51X156 is a 12-pin heavy duty socket and can be used with Time Mark's models 261XBXP and 261XBXP Alternating Relays.

Pressure clamp screws are #6-32 Zinc plated steel with a wire range of #12 to #22 AWG. Contacts are nickel plated brass. This socket is rated up to 600VAC and is UL Recognized, CSA Certified, and CE (European Conformity) Accepted.



TIME MARK
CORPORATION

11440 East Pine Street
Tulsa, Oklahoma 74116

10/2019
© 2019 TIME MARK CORPORATION

TIME MARK is a division of  AEMT, Inc.